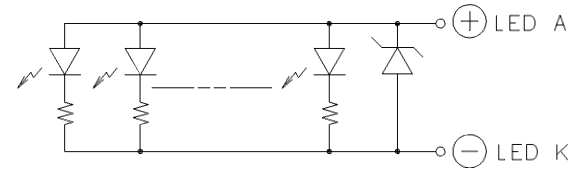
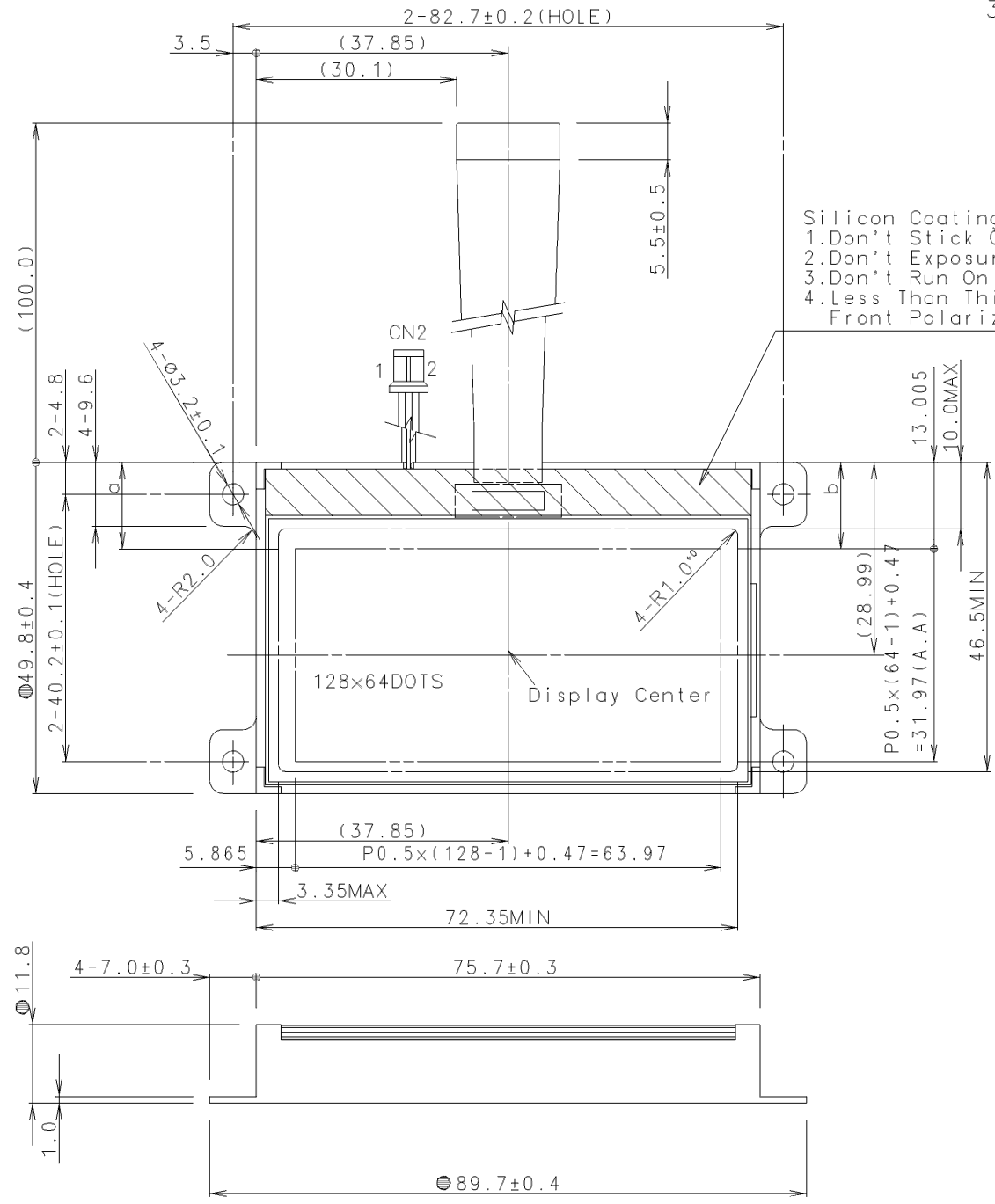


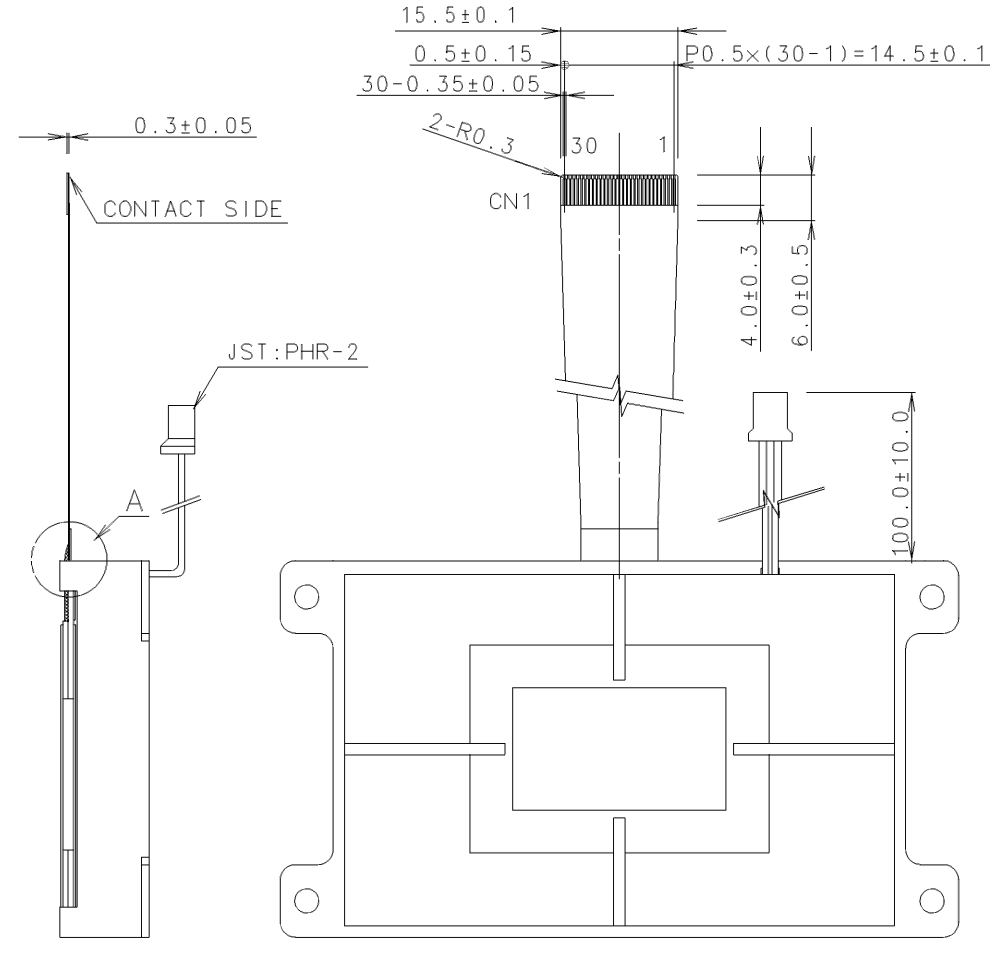
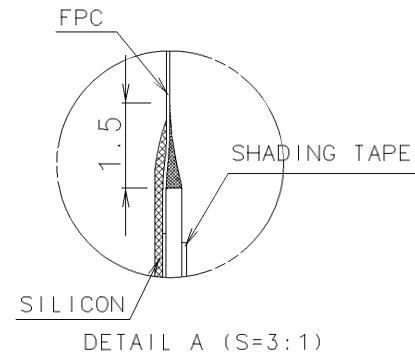
CIRCUIT DIAGRAM



QTY of LED chips  
 351852AA/AC : 4chips  
 351852AB : 7chips  
 351852AG : 12chips



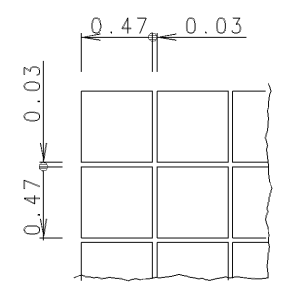
Silicon Coating Area  
 1. Don't Stick Out Of Glass.  
 2. Don't Exposure ITO.  
 3. Don't Run On Front Polarizer.  
 4. Less Than Thickness Of Front Polarizer.



CN1 PIN ASSIGNMENT

No.	SYMBOL	No.	SYMBOL	No.	SYMBOL
1	CS1	11	D5	21	C2+
2	RES	12	D6	22	V1
3	A0	13	D7	23	V2
4	WR	14	VDD	24	V3
5	RD	15	VSS	25	V4
6	D0	16	VOUT	26	V5
7	D1	17	C3-	27	VR
8	D2	18	C1+	28	C86
9	D3	19	C1-	29	P/S
10	D4	20	C2-	30	NC

PIN No.	SYMBOL
1	LED A
2	LED K



- NOTES  
 1. Display Skew |a-b| ≤ 0.5  
 2. Do not use materials which are prohibited by RoHS.  
 3. The dimensions with the mark (●) are controlled as a particular characteristic.

MEASURE	TOLERANCE			THIRD ANGLE PROJECTION	DATE	OPTREX CORPORATION
	A	B	C		Feb. 25 '05	
L ≤ 16	±0.1	±0.3	±1	UNIT	APPROVED	TITLE
16 < L ≤ 63	±0.2	±0.5	±1.5	mm	M. MOTOHASHI	DIMENSIONAL OUTLINE
63 < L ≤ 250	±0.3	±0.8	±2	SCALE	CHECKED	CODE
250 < L ≤ 500	±0.5	±1.2	±3	1:1	T. SUZUKI	F-51852AA base
500 < L	±0.8	±2	±4		DRAWN	DWG NO
ANGLE	±1°	±5°	±10°		ERASA. TANG	UE-312339